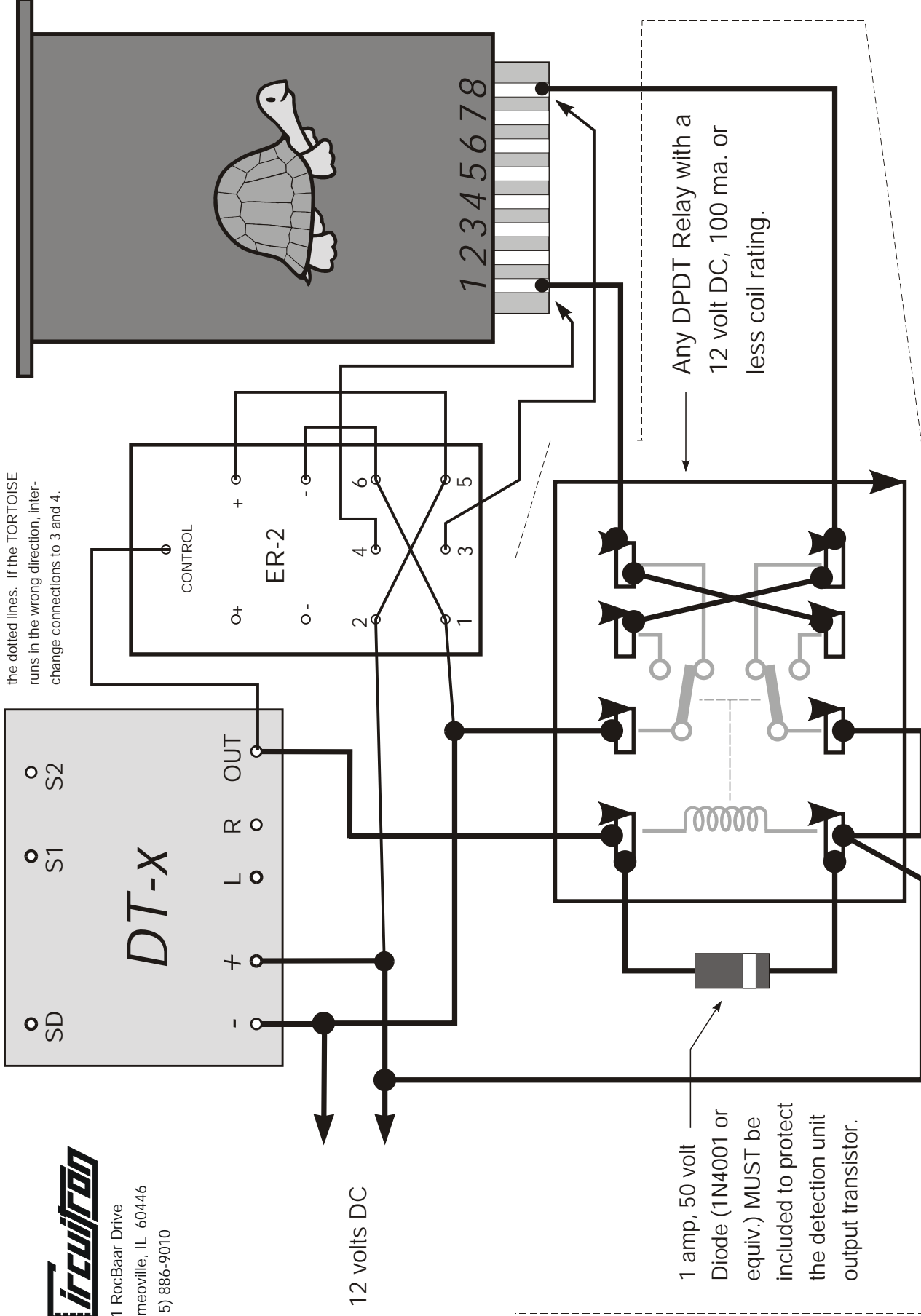




211 RocBaar Drive
Romeoville, IL 60446
(815) 886-9010

If using the ER-2, connect as shown below and disregard all connections within the dotted lines. If the TORTOISE runs in the wrong direction, interchange connections to 3 and 4.



1 amp, 50 volt Diode (1N4001 or equiv.) MUST be included to protect the detection unit output transistor.

Any DPDT Relay with a 12 volt DC, 100 ma. or less coil rating.

Pinout of your relay may be different